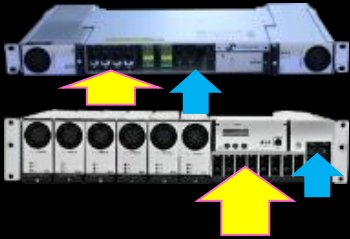


Change of a breakaer – everytime by power off !!!

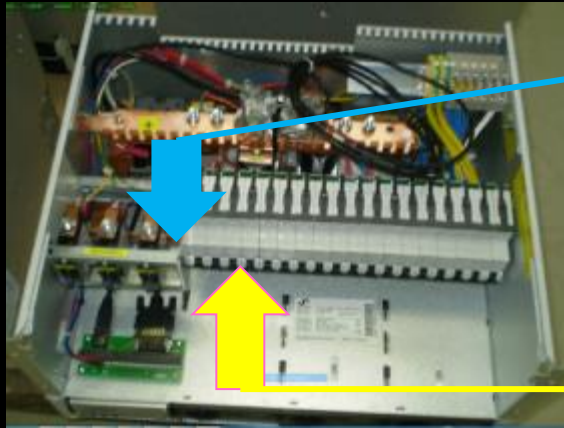
Micropack a Minipack



**Miniature breakers
Pull-out/push-in**



Flatpack 4U Smartpack1



**Disconnect
battery cables
and remove**

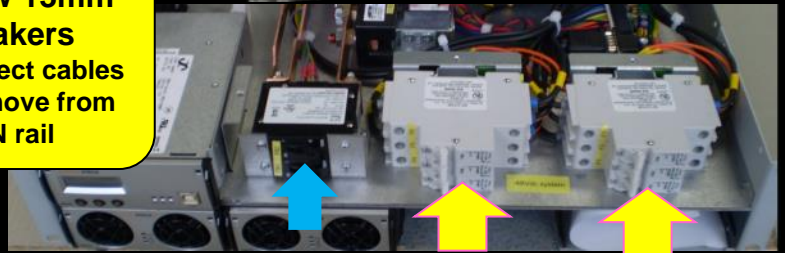
**Pull-out/push-in
(only equal type
of breaker)**

**Disconnect load cable, diode
matrix and after loose from DIN
rail remove**

Flatpack 2U



**Narrow 13mm
breakers
Disconnect cables
and remove from
DIN rail**



Flatpack 4U Smartpack2

